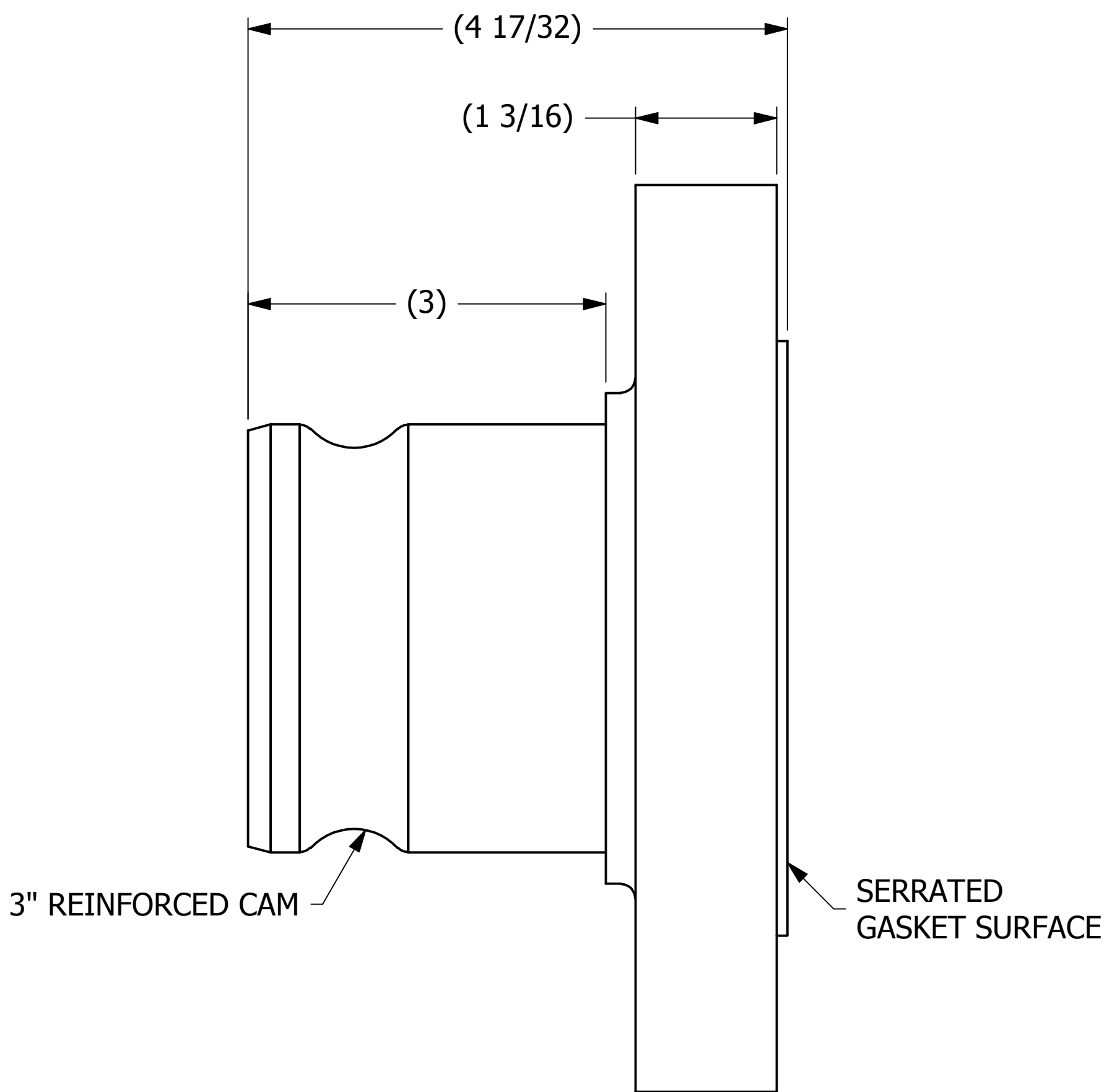
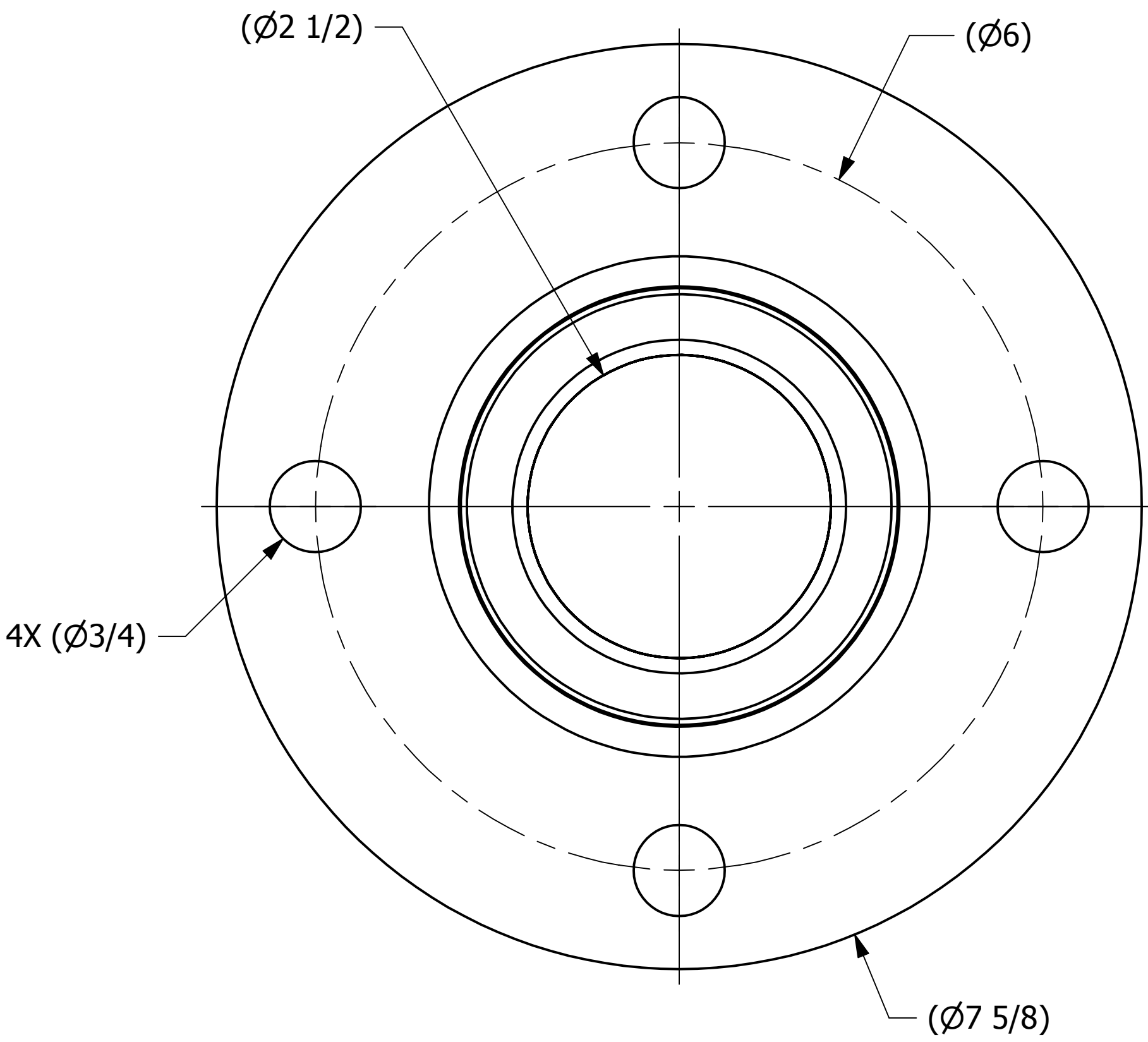


SALES DRAWING

SALES DRAWING



C	GS	4-9-13	UPDATED DIMS & LEADER NOTES, ADDED NOTE.
B	TAK	12-20-12	UPDATED TITLE BLOCK & ADDED CAM NOTE
A	VD	08-18-10	ADDED PART TO SYSTEM.
REV	BY	DATE	DESCRIPTION

<small>UNLESS OTHERWISE SPECIFIED DIMENSIONAL TOLERANCES FRACTIONAL: $\pm 1/16$ X.XX: $\pm .03$ X.XXX: $\pm .015$ ANGLE: $\pm 1^\circ$ DEBURR ALL SHARP EDGES. ALL MACHINED SURFACES TO HAVE A 125 RMS FINISH UNLESS NOTED OTHERWISE.</small>	DRAWN BY:	VD
	CHECKED BY:	CHL
	PROTOTYPE BY:	VD
	PROTOTYPE DATE:	7/6/2015
	APPROVED FOR PRODUCTION BY:	VD
	PRODUCTION DATE:	8/18/2010

SALCO PRODUCTS, INC.		
PART NAME: QUICK CONNECT FLANGE 3"		
MATERIAL: SALCO PE / 316 SS		
PROJECT #: 090407	SHEET #: 1 OF 1	SCALE: 1:1
DRAWING #: C28114	PART #: HS3FTKRPY	

THIS PRINT, PROPERTY OF SALCO PRODUCTS INC., CONTAINS PROPRIETARY INFORMATION AND MUST NOT BE COPIED, REPRODUCED, OR USED DETRIMENTALLY TO OUR INTEREST.

